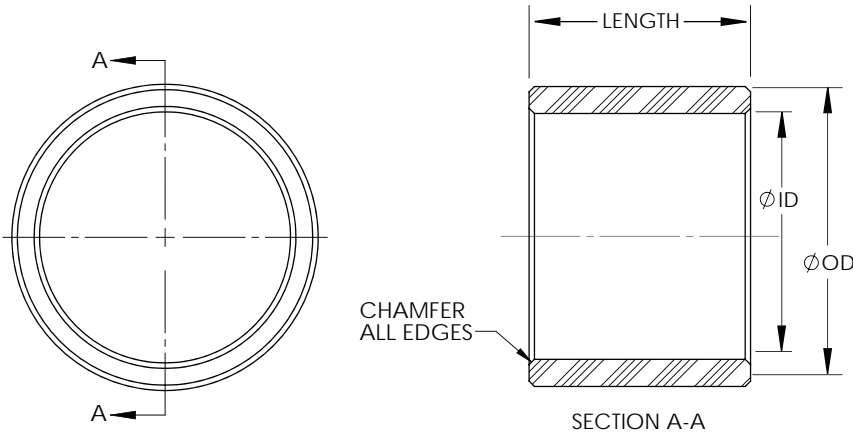


Straight Sleeve Bearing Design Worksheet

PROVIDE DETAILS IN BOX TO THE RIGHT



BEARING DIMENSIONS

Provide hardware dimensions below.

Bearing ID Min _____ /Max _____

Bearing OD Min _____ /Max _____

BEARING LENGTH

Length (required): _____

CONTACT INFORMATION

Company _____ Name _____
Phone _____ Fax _____ E-Mail _____

HOUSING AND MATERIAL INFORMATION

Sizes are required if bearing dimensions were not provided above.

Housing Size: Min _____ Max _____ Housing Material (required): _____

Shaft Size: Min _____ Max _____ Shaft Material (required): _____

Current Bearing Material: _____

ENVIRONMENT

Wet (water): Dry: Caustic: Dusty: Greased: Other: Temperature at Bearing: _____

OPERATION

RPM _____ Load Weight _____ Hours of Operation/day _____

Rotation

360° Osculating Intermittent: Yes No Frequency/Cycles _____

MANUFACTURING OPTIONS

Raw Material (raw tube is supplied with additional material allowance for machining)

Semi-Finished (CIP to rough turn ID/OD and machine water grooves)

Finished Machined (CIP to machine complete to design)

ORDER DETAILS

CIP Material: _____ Quantity Needed: _____

CIP Only:

Raw Tube: _____

Mandrel Size: _____

APPLICATION: